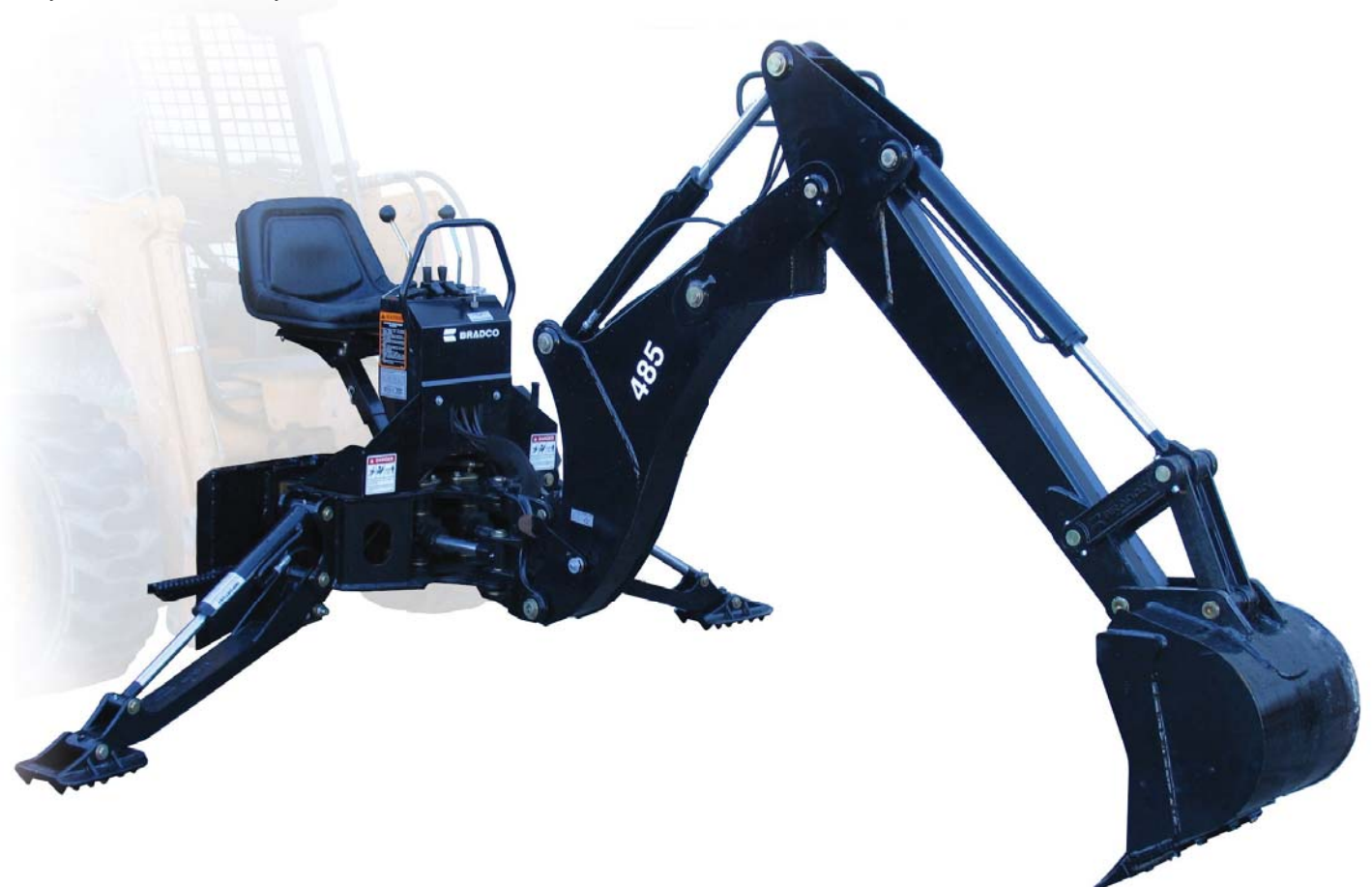


485 Backhoe

For skid-steer loaders.

FEATURES:

- Full 180° swing rotation with equal power in both directions
- Built from 10 gauge high-strength 100ksi steel to minimize weight and increase strength for durability
- Highback seat is adjustable vertically as well as forward and aft
- Standard swing speed control is standard and allows the operator to adjust swing speed
- 2 year limited warranty



 **BRADCO**

 **FFC**

 **HARLEY**

 **THE MAJOR**

 **McMILLEN**

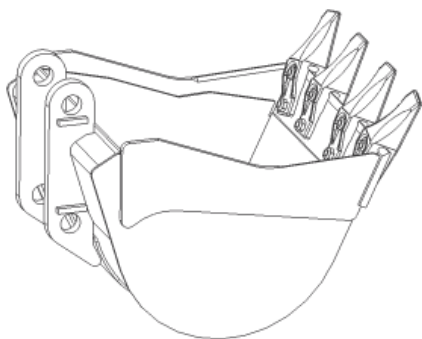
 **SWEEPSTER**

PALADIN LIGHT CONSTRUCTION

485 Backhoe

FEATURES

- Circuit relief valve protected while allowing smooth operation, SAE float detent in boom circuit
- Fully engineered and tested in rigorous real-life conditions
- Cushioned swing cylinders for smooth operation
- Inline filter and check valve insures longer valve life and less maintenance
- Replaceable hardened bushings in all pivot points decreases maintenance costs
- Stress proof pins provide higher strength and increased wear resistance
- High strength steel and ductile iron castings in high stress areas



Buckets & Capacities

bucket size	heaped cap. ft. ³	weight lbs.	number of teeth*
10"	.92	80	3
12"	1.20	85	3
16"	1.86	102	4
18"	2.14	109	4
24"	3.10	130	5

* buckets available without teeth

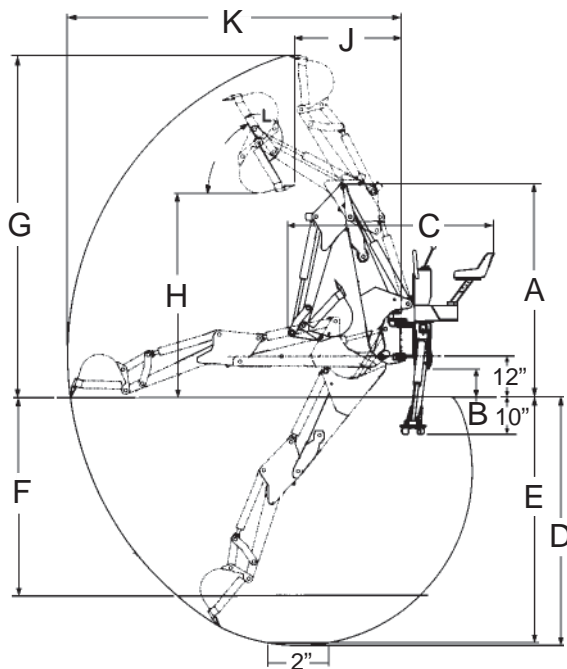
Specifications

Transport

A. Transport height (with boom retracted)	81"
Transport width (with stabilizers up)	51"
B. Ground clearance	10"
C. Overall length	83"
Boom pivot height	12"
Operating weight with 12" bucket	1010 lbs
Weight without bucket	665 lbs

Operational

D. Digging depth (maximum)	101"
E. Digging depth (2' flat bottom)	100"
F. Digging depth (8' flat bottom)	52"
G. Overall operating height - fully raised	121"
H. Loading height	63"
J. Loading reach	58"
K. Reach from swing post	127"
L. Bucket rotation	180°
Swing arc	180°
Stabilizer spread operating position	90°
Stabilizer down below grade	10"
System relief valve setting	2750 PSI
Digging force - bucket cylinder	2895 lbs
Digging force - dipper cylinder	



Specifications and design are subject to change without notice and without liability, therefore, whenever applicable specifications are in accordance with SAE standards.



PALADIN LIGHT CONSTRUCTION