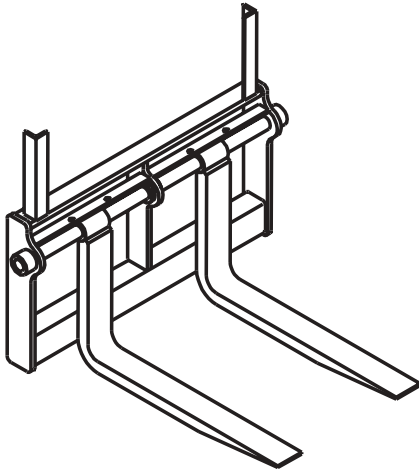


ACS Material Handling Forks

- Available in pin-on or coupler-equipped configuration
- Rugged construction
- Heat treated and forged tines
- Manually adjustable tine width

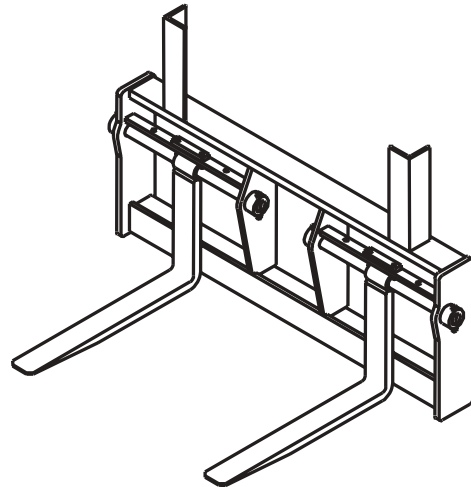


Standard Construction Duty Fork

- Excellent for handling pallets and construction materials
- Open frame design for visibility
- Available with anti-swing or floating tine
- Use with ACS Barrel Handler for added versatility

Wide Carriage Log and Pipe Fork

Excellent for handling long material such as logs or pipe
Open frame design for visibility
Available with anti-swing or floating tine options



(A) Rating of tine capacity per pair at 24" load center. Other tine sizes available upon request.

*Special order tines - please contact ACS for lead time.

Note: Exceeding the rated lift capacity of any set of forks may result in equipment damage and/or personal injury.

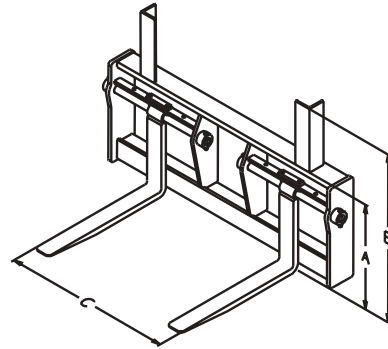
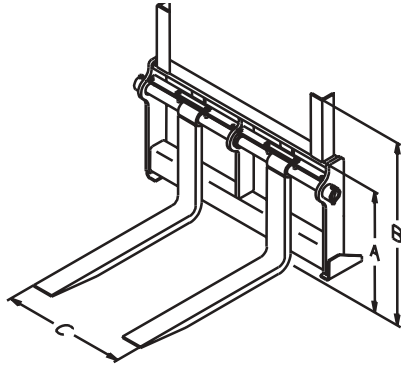
Quality That Works®

Product Specifications

Wide Carriage

ACS Material Handling Forks

Standard Carriage



- Rugged construction
- Heat treated, forged adjustable tines
- Available in pin-on or coupler-equipped configurations

Wheel Loaders
Size Chart p. 18-19

| Size/ Class | Max. Fork Spread "C" | | Min. Fork Spread "C" | | Weight | | Carriage Height "A" | | Overall Height "B" | | Max Fork Load* | Standard (Optional) Tine Size |
|----------------|----------------------|------|----------------------|------|--------|--------|---------------------|------|--------------------|------|----------------|-----------------------------------|
| | Std. | Wide | Std. | Wide | Std. | Wide | Std. | Wide | Std. | Wide | | |
| 10 | 46" | 60" | 9" | 9" | 580# | 675# | 30¼" | 30¼" | 43¾" | 43¾" | 4,300# | 1½x4x48 |
| 20 | 60" | 86" | 12" | 34" | 990# | 1,720# | 30½" | 36¾" | 48" | 53" | 8,000# | 2x5x48 (2x5x60) (2x5x72) |
| 30 | 60" | 92" | 14" | 34" | 1,180# | 2,400# | 35¾" | 40" | 53" | 61" | 10,000# | 2x6x48 (2½x6x60) (2½x6x72) |
| 50 | 60" | 92" | 14" | 34" | 1,410# | 2,720# | 35¾" | 40" | 53" | 61" | 12,000# | 2½x6x48 (2½x6x60) (2½x6x72) |
| 60 | 60" | 99" | 16" | 34" | 2,660# | 3,390# | 38½" | 47½" | 56" | 72" | 18,000# | 3x7x54 (3x7x66) (3x7x72) |
| 70/80 | 66" | 102" | 17" | 34" | 2,890# | 4,060# | 46¾" | 48" | 66¾" | 68" | 22,000# | 3½x7x54 (3½x7x66) |
| 90 | 84" | N/A' | 28" | N/A | 4,433# | N/A | 53¾" | N/A | 80" | N/A | 25,000# | 3¾x8x72 |
| 100 | 90" | N/A" | 30" | N/A | 9,585# | N/A | 62¼" | N/A | 86" | N/A | 54,000# | 4x10x96 |

(A) Rating of tine capacity per pair at 24" load center. Other tine sizes available upon request.

*Special order tines - please contact ACS for lead time.